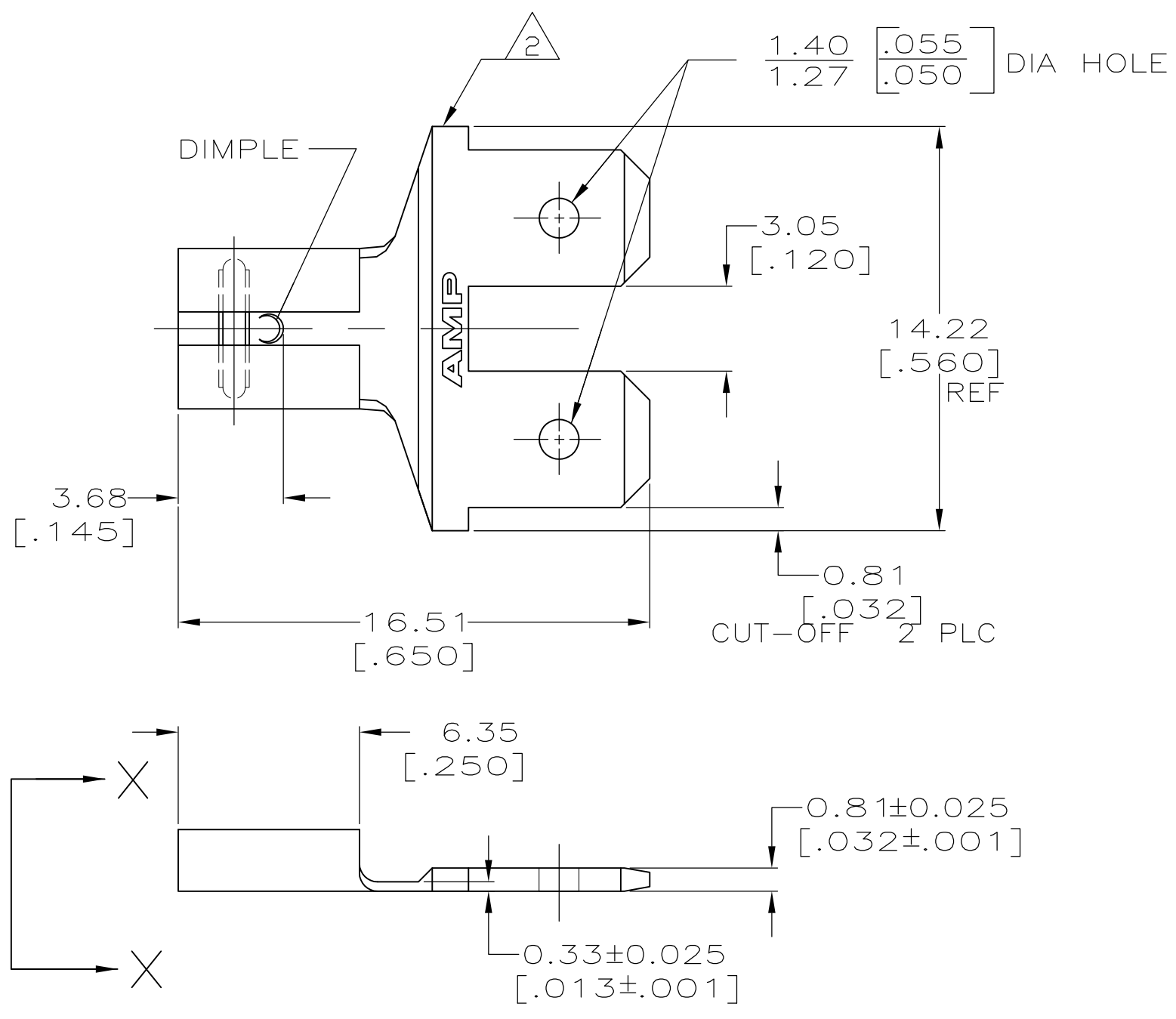
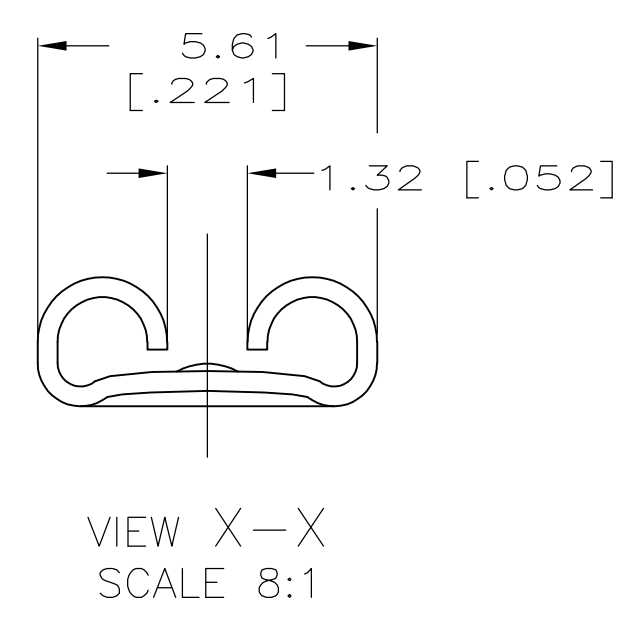


THIS DRAWING IS UNPUBLISHED. RELEASED FOR PUBLICATION  
 © COPYRIGHT - By - ALL RIGHTS RESERVED.

LOC		DIST		REVISIONS					
AF		50		P	LTR	DESCRIPTION	DATE	DWN	APVD
				D		REVISED PER ECR-12-013518	23NOV2012	KH	PD



1 SUPPLIED IN LOOSE PIECE.  
 2 BARE EDGES PERMITTED.



0.81 [.032]	63699-1
MATING TAB THK #0.025 [.001]	PART NUMBER

THIS DRAWING IS A CONTROLLED DOCUMENT.		DWN	JR RUTH	3/9/93	 TE Connectivity	ADAPTER, FASTON, 4.75 [.187] SERIES						
DIMENSIONS: mm [INCHES]		CHK	MS FEHER	3/9/93								
TOLERANCES UNLESS OTHERWISE SPECIFIED:		APVD	P DESANTIS	3/9/93								
0 PLC ± - 1 PLC ± - 2 PLC ± 0.25 [.010] 3 PLC ± - 4 PLC ± - ANGLES ± -		PRODUCT SPEC		NAME								
MATERIAL	BRASS	FINISH	TIN	APPLICATION SPEC	SIZE	A3	CAGE CODE	00779	DRAWING NO	C-63699	RESTRICTED TO	-
CUSTOMER DRAWING				WEIGHT	-	SCALE	5:1	SHEET	1 OF 1	REV	D	